



Diaphragm Pump 51 Series

Features & Benefits

- Positive displacement pump
- Can run dry
- Quiet operation
- Demand Pump
- Easy connect fittings
- Industry standard mount pattern

Typical Applications

- Agricultural Spraying
- General Industrial
- Automotive
- Marine/RV

PUMP

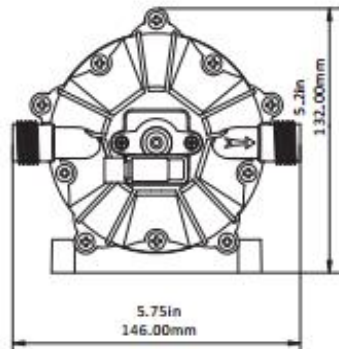
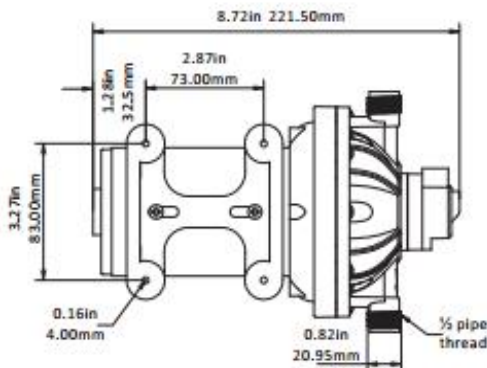
- Type**
5 chamber positive displacement diaphragm pump, self priming, capable of being run dry
- Mode**
Demand
- Liquid Temperature**
140°F (60°C) Max.
- Priming Capabilities**
6 feet (1.8 m) suction lift
- Max Pressure**
70 PSI (4.8 bar)

Inlet/Outlet Ports

- 1/2"-14 MNPT
- Weight**
7 lbs (3.17 kg)

MOTOR

- Duty Cycle**
Continuous
- Leads**
16 AWG, 4.5' long with/Leads
2-Pin connector
- Voltage**
12v/24v



STANDARD PUMP CONFIGURATIONS

Model	Switch	GPM/LPM	PSI/BAR	Max Draw(A)	Valves	Diaphragm	Ports	Voltage	Wire Connections
SFDP1-030-060-51	Demand	3.0/11.3	60/4.1	12.0	EPDM	Santoprene	1/2"-14 MNPT	12V DC	2-Pin/Leads
SFDP2-030-060-51	Demand	3.0/11.3	60/4.1	6.0	EPDM	Santoprene	1/2"-14 MNPT	24V DC	2-Pin/Leads
SFDP1-040-060-51	Demand	4.0/15.1	60/4.1	15.0	EPDM	Santoprene	1/2"-14 MNPT	12V DC	2-Pin/Leads
SFDP2-040-060-51	Demand	4.0/15.1	60/4.1	7.0	EPDM	Santoprene	1/2"-14 MNPT	24V DC	2-Pin/Leads
SFDP1-050-060-51	Demand	5.0/18.9	60/4.1	17.0	EPDM	Santoprene	1/2"-14 MNPT	12V DC	2-Pin/Leads
SFDP2-050-060-51	Demand	5.0/18.9	60/4.1	9.0	EPDM	Santoprene	1/2"-14 MNPT	24V DC	2-Pin/Leads