



## Battery Selector Switch

### Features & Benefits

The selector switch will allow the use of one battery for engine starting and one battery for auxiliary electrical equipment.

Batteries may be placed in parallel by switching to (BOTH) for emergency usage

Small in size, Fine appearance, Sturdy and durable

3/8"-16 tin-plated copper studs for maximum conductivity and corrosion resistance

Can be installed in any position

175A continuous duty at DC-12V

300A intermittent duty at DC-12V

Suitable for 6V, 12V, 24V and 32V ship's supply system

OFF - Complete disconnect of both batteries or banks of batteries

1- Operation of No.1 battery only

2- Operation of No.2 battery only

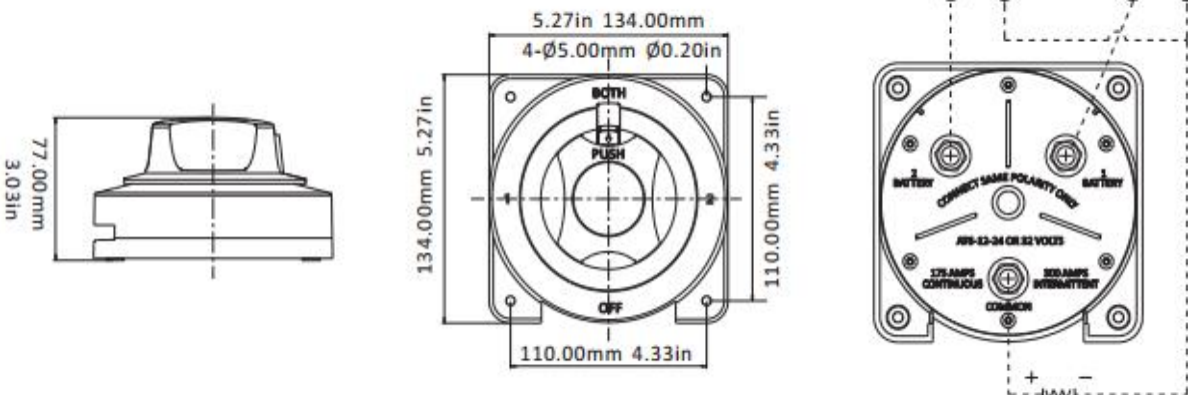
BOTH- Operation of both batteries and banks of batteries

### Typical Applications

Marine

RV & Campers

Industrial



### Technical Data

Model	SFC85-175-402
Max.Volt (V)	6-12-24-32
Amp Draw (A)	175
Max Amp Draw (A)	300
Switch Position	3