



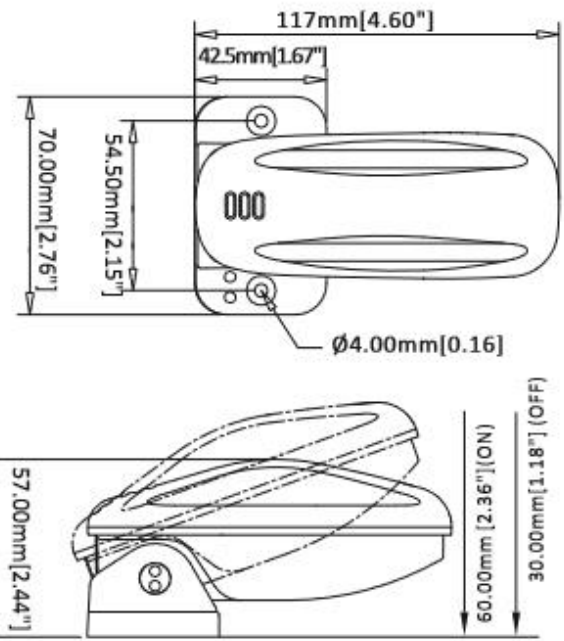
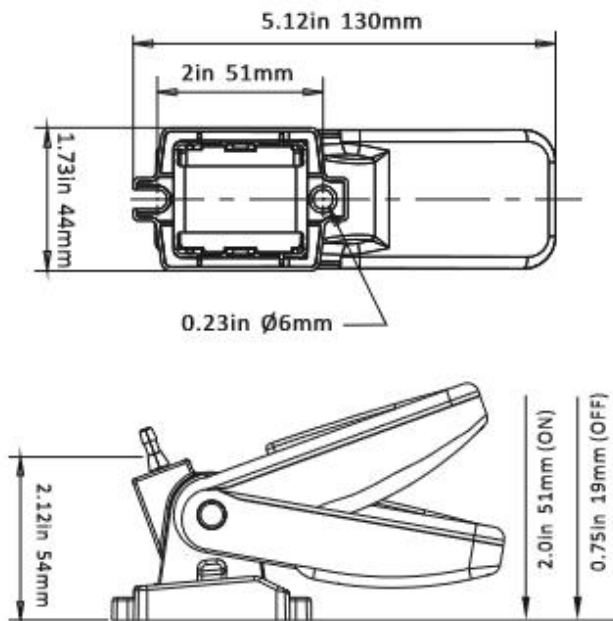
Float Switch

Features & Benefits

- Turn pump on when water level reaches 2" (51mm)-SFBS-20-01
- Turn pump off when water level reaches 3/4" (19mm)-SFBS-20-01
- Turn pump on when water level reaches 2.36" (60mm)-SFBS-18-02
- Turn pump off when water level reaches 1.18" (30mm)-SFBS-18-02
- Ideal flow sensor for bilge pumps
- Heavy duty flow switch is designed for the toughest applications

Typical Applications

- Marine
- RV & Campers
- Industrial
- New mercury free float switch.
- Suitable for use with 12v DC or 24v DC bilge pumps.



Model	SFBS-20-01
Max Amps 12volts	20A
Max Amps 24volts	10A
Wire Length	1 m
Wire Gauge Size	18
N.W./G.W. (kg)	0.16/0.18

Model	SFBS-18-02
Max Amps 12volts	18A
Max Amps 24volts	10A
Wire Length	1 m
Wire Gauge Size	16
N.W./G.W. (kg)	0.14/0.18